

# Chemtrol®

a brand of NIBCO

## Model D True Union Ball Valve PVC/CPVC

NU45TB-V No Lube/Viton®

U45TB-E/V Universal EPDM or Viton®

U51TB-E/V Universal EPDM or Viton®

### APPLICATIONS

- Water and waste water treatment
- OEM's
- Chemical processing
- Swimming pools, aquariums, theme parks
- Mining
- Pharmaceutical
- Pulp & paper
- Marine & corrosive environments
- Metal finishing/plating

### MATERIALS & CONSTRUCTION

- PVC Cell Class 12454 per ASTM D1784, CPVC Cell Class 23447 per ASTM D1784
- Heavy-duty EPDM and Viton® O-Ring seals for stem, seat carrier and end piece

### DESIGN CRITERIA

- TruBloc design
- Rated at 250 psi with non-shock water service at 73°F - the highest rating in the industry
- Certified to ASTM F1970
- NSF 61 approved
- Double O-Ring stem
- Interchangeable with Model C cartridge, nuts and end connectors
- New ergonomic handle with built-in carrier wrench
- Double union connections - offering socket, threaded and flanged ends; applications with flanges are de-rated to 150 psi
- Same face-to-face length of the Model C
- Available with or without silicone-free lubricant
- New grip style nuts and end connectors to better utilize strap wrench when tightening threaded connections
- Socket end connectors per ASTM D2467 and F439 for Schedule 80 pressure fittings
- Rated for full vacuum service



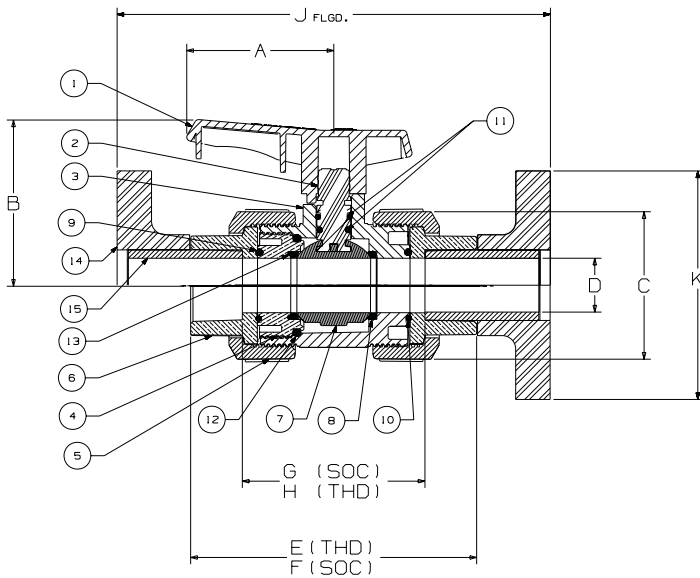
**Model D, PVC/CPVC  
True Union Ball Valve**  
1/2" - 1"

Viton® is a registered trademark of E.I. DuPont Co.

# Model D True Union Ball Valve

www.nibco.com/chemtrol

Rated 250 psi at 73°F — Non-shock — Full Port •  
 TruBloc Design • Double O-Ring Stem • NSF Approved •  
 Rated for Full Vacuum Service



**MODEL D TRUE UNION  
 BALL VALVE**

## MATERIAL LIST

PART	SPECIFICATION
1. Handle - Lever	Orange PVC
2. Stem	PVC, CPVC
3. Body	PVC, CPVC
4. Seat Carrier	PVC, CPVC
5. Union Nut	PVC, CPVC
6. End Connector	PVC, CPVC
7. Ball	PVC, CPVC
8. Seat	TFE
9. O-Ring - Seat Carrier; End Seal	Viton® or EPDM
10. O-Ring - Body; End Seal	Viton® or EPDM
11. O-Ring - Stem; OD Seal	Viton® or EPDM
12. O-Ring - Seat Carrier; OD Seal	Viton® or EPDM
13. O-Ring - Seat Carrier; Seat Energizer	Viton® or EPDM
14. Flange	PVC, CPVC
15. Plain End Pipe Nipple	PVC, CPVC

## Cv (GPM/1PSI)

Size	Cv
1/2"	22
3/4"	55
1"	112

## DIMENSIONS—WEIGHTS—QUANTITIES

Nominal Size	Dimensions									J Flgd.	K Flgd.	PVC • Wt./Lbs	CPVC • Wt./Lbs
	A	B	C	D	E Thd.	F Soc.	G Soc.	H Thd.					
1/2	2.07	2.16	1.82	0.50	4.10	4.20	2.42	2.44	6.19	3.50	0.35	0.37	
3/4	2.74	2.90	2.36	0.75	4.62	5.02	3.02	3.05	7.25	3.88	0.69	0.73	
1	2.74	3.07	2.73	1.00	5.32	5.47	3.22	3.40	8.06	4.26	0.96	1.00	

\* Large diameter sizes to be available early 2007.

**Chemtrol®**  
 a brand of NIBCO

**NIBCO INC.**  
**WORLD HEADQUARTERS**  
**WEB: www.nibco.com**

1516 MIDDLEBURY STREET  
 ELKHART, IN 46516-4740  
 USA

DOMESTIC CUSTOMER SERVICE  
 PHONE: 800.234.0227  
 FAX: 800.234.0557

TECHNICAL SERVICE  
 PHONE: 888.446.4226  
 FAX: 888.336.4226

INTERNATIONAL OFFICE  
 PHONE: +1/574.295.3221  
 FAX: +1/574.295.3455