

# CH-SFE-0303

SOCKET FUSION  
EQUIPMENT

Effective Mar. 3, 2003 • Supersedes SFE-0102 dated Jan. 1, 2002

## SOCKET FUSION TOOL SPECIFICATIONS/PRICES

### Multiple Size Hand-Held Joining Kits 1/2" - 2" or 3" - 4"

MODEL NO.	SIZE RANGE	VOLTS*	PHASE	WATTS	LIST PRICE
C168860	1/2"-2"	110(+/- 10%)	Single	800	\$1,418.00
C169060	3"-4"	110(+/- 10%)	Single	1650	1,631.00



Each kit contains all of the components required for joining all sizes of socket fusion connections specified for that kit, including: heating tool, male and female heat face sets with bolts, depth gauges, cold ring pipe clamp with inserts, pipe cutter, beveling tool, timer, thermal blanket, auxiliary handle, hex key wrenches, thermostats, joining instructions and rugged heavy duty tool box.

## Model MSJK

### Single Size Hand-Held Joining Kits 1/2" - 6"

MODEL NO.	SIZE RANGE	VOLTS*	PHASE	WATTS	LIST PRICE
C169052	1/2"	110(+/- 10%)	Single	800	\$1,137.00
C169053	3/4"	110(+/- 10%)	Single	800	1,137.00
C169054	1"	110(+/- 10%)	Single	800	1,137.00
C169055	1 1/2"	110(+/- 10%)	Single	800	1,152.00
C169056	2"	110(+/- 10%)	Single	800	1,152.00
C169057	3"	110(+/- 10%)	Single	1650	1,455.00
C169058	4"	110(+/- 10%)	Single	1650	1,492.00

NOTE: Single size kits may be expanded to include other sizes by ordering only the heat face set, depth gauge and pipe clamp insert for each size to be added. 1/2" through 2" sizes are compatible and 3" through 4" size are compatible for individual components.

*Suggested list prices subject to change without notice.*

*\*Contact NIBCO for pricing and availability for 210/220 voltage.*

# Chemtrol®

Chemtrol is a brand of NIBCO

NIBCO INC.

WORLD HEADQUARTERS

WEB: [www.nibco.com/chemtrol](http://www.nibco.com/chemtrol)

1516 MIDDLEBURY STREET

ELKHART, IN 46516-4740

USA

CHEMTROL CUSTOMER SERVICE

PHONE: 800.234.0227

FAX: 800.234.0557

TECHNICAL SERVICE

PHONE: 888.446.4226

FAX: 888.336.4226

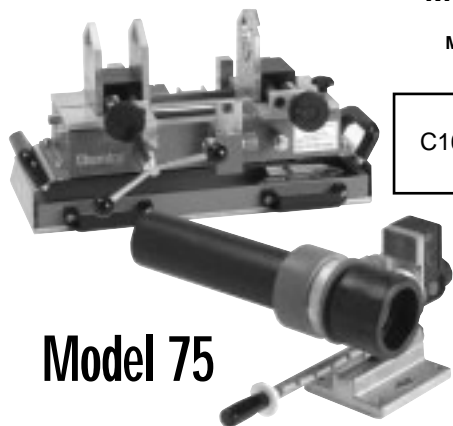
INTERNATIONAL OFFICE

PHONE: +1/574.295.3221

FAX: +1/574.295.3455

## SOCKET FUSION TOOL SPECIFICATIONS/PRICES (Cont.)

### Model 75 1/2" - 2" Benchmount Fusion Tool



Model 75

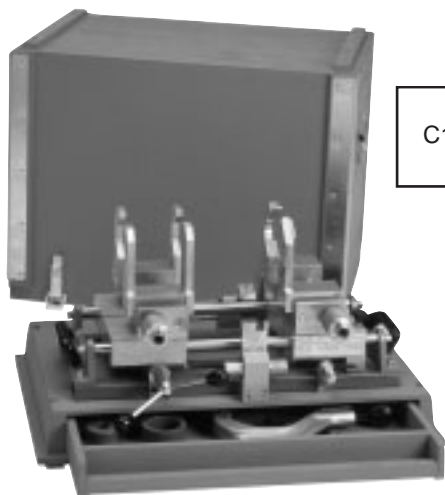
MODEL NO.	SIZE (WXDXH)	WEIGHT (LBS.)		VOLTS*	PHASE	WATTS	LIST PRICE
	HANDLE DOWN	W/CASE	W/O CASE				

C169877PP	23 x 18 x 12.5	95.5	71.5	110(+/-10%)	Single	630	\$7,420.00
-----------	----------------	------	------	-------------	--------	-----	------------

The Model 75 Socket Fusion Tool is designed to join Chemtrol Polypropylene and PVDF (Kynar®) pipe, valves and fittings in 1/2" - 2" sizes. Two clamps hold the pipe and one clamp, with an insertion stop, holds the corresponding fitting or valve in the precise position for socket fusion.

The basic machine comes in a steel carrying case with the Heating Tool, Wrench, Fixtures, Clamping Unit and Joining Instructions. **The Socket Heat Face Sets are ordered separately.** Please see "Individual Components and Replacement Parts" section.

### Model 3500 1/2" - 4" Benchmount Fusion Tool



MODEL NO.	SIZE (WXDXH)	WEIGHT (LBS.)		VOLTS*	PHASE	WATTS	LIST PRICE
	HANDLE DOWN	W/CASE	W/O CASE				

C169878PP	32 x 24 x 19	181.5	125	110(+/-10%)	Single	1200	\$11,947.00
-----------	--------------	-------	-----	-------------	--------	------	-------------

The Model 3500 Socket Fusion Tool is designed to join Chemtrol Polypropylene and PVDF (Kynar®) pipe, valves and fittings in 1/2" - 4" sizes. Two clamps hold the pipe and one clamp, with an insertion stop, holds the corresponding fitting or valve in the precise position for socket fusion.

The basic machine comes in a wooden shipping crate that doubles as a workbench for the tool. Included with the basic machine is the Heating Tool, Wrench, Fixtures, Clamping Unit and Joining Instructions. **The Socket Heat Face Sets are ordered separately.** Please see "Individual Components and Replacement Parts" section.

### Model 3600 4" - 6" Benchmount Fusion Tool

Model 3500/3600

MODEL NO.	SIZE (WXDXH)	WEIGHT (LBS.)		VOLTS*	PHASE	WATTS	LIST PRICE
	HANDLE DOWN	W/CASE	W/O CASE				

C169879PP	42 x 28 x 19	302	241	110(+/-10%)**	Single	1200	\$13,971.00
-----------	--------------	-----	-----	---------------	--------	------	-------------

\*\*2001 units available in 110 volts. Earlier model available in 230 volts.

The Model 3600 Socket Fusion Tool is designed to join Chemtrol Polypropylene and PVDF (Kynar®) pipe, valves and fittings in 4" - 6" sizes. Two clamps hold the pipe and one clamp, with an insertion stop, holds the corresponding fitting or valve in the precise position for socket fusion.

The basic machine comes in a wooden shipping crate that doubles as a workbench for the tool. Included with the basic machine is the Heating Tool, Wrench, Fixtures, Clamping Unit and Joining Instructions. **The Socket Heat Face Sets are ordered separately.** Please see "Individual Components and Replacement Parts" section.

Kynar® is a registered trademark of ATOFINA Chemicals, Inc.

\*Contact NIBCO for pricing and availability for 210/220 voltage.

## INDIVIDUAL COMPONENTS AND REPLACEMENT PARTS LIST

Material	Item Description	List Price
C168790	70000007 1/2" Soc Heat Face Set	\$ 65.15
C168800	70000008 3/4" Soc Heat Face Set	65.15
C168810	70000009 1" Soc Heat Face Set	65.15
C168820	70000011 1 1/2" Soc Heat Face Set	79.35
C168830	70000012 2" Soc Heat Face Set	79.35
C168840	70000014 3" Soc Heat Face Set	133.00
C168850	70000016 4" Soc Heat Face Set	137.00
C168855	70000018 6" Soc Heat Face Set	490.00
C168600	70000066 1/2" - 3/4" Depth Gauge	23.89
C168620	70000067 1" Depth Gauge	24.27
C168640	70000068 1 1/2" - 2" Depth Gauge	24.40
C168660	70000096 3" - 4" Depth Gauge	26.03
C168915	70000122 6" Depth Gauge	35.97
C168721	70000072 1/2" Cold Ring Clamp Insert	22.39
C168722	70000074 3/4" Cold Ring Clamp Insert	22.39
C168723	70000076 1" Cold Ring Clamp Insert	22.39
C168724	70000078 1 1/2" Cold Ring Clamp Insert	22.39
C168650	70000079 2" Cold Ring Clamp	67.91
C168725	70000098 3" Cold Ring Clamp Insert	41.12
C168680	70000099 4" Cold Ring Clamp	84.26
C168720	70000065 Deb-4 Beveling Tool 1/2" - 4"	75.20
C169125	70000121 BT-1 Beveling Tool - 6"	256.00
C169150	70000059 Tubing Cutter 154-P 3" - 4"	168.00
C169020	70000046 Tubing Cutter 152-P 1/2" - 2"	83.63
C169155	70000120 TC6QP Pipe Cutter - 6"	208.00
C168920	70000036 1/2" - 6" Heat Kit Tool Box	62.25
C169040	70000048 Heat Tool Timer	25.02
C168930	70000037 TD-1 Heating Tool 1/2" - 2"	448.00
C169095	70000069 TD-3 Heating Tool 3" - 6"	787.00
C168700	70000062 Insulating Blanket 1/2" - 6"	49.68
C169050	70000049 Temperature Gauge 1/2" - 6"	57.47
C169160	70000060 5/32 Hex Key/Insert Bolts 1/2" - 4"	0.63
C169035	70000100 7/32 Hex Key/Heat Face Bolt 1/2"	2.52
C168690	70000061 5/16 Hex Key/Heat Face Bolt 3/4" - 2"	2.52
C169030	70000047 3/16 Hex Key/Heat Face Bolt 3" - 6"	0.76
C168746	94020939 Extra Heat Face Bolt - 1/2"	7.40
C168747	94020938 Extra Heat Face Bolt - 3/4" - 2"	7.40
C168748	94020940 Extra Heat Face Bolt - 3" - 6"	14.84
C168740	94010840 Extra Clamp Insert Bolts - 1/2" - 3/4"	0.25
	94010841 Extra Clamp Insert Bolts - 1" & - 3"	0.24
C168744	94010842 Extra Clamp Insert Bolts - 1 1/2"	0.25
C168940	70000038 Auxil Hdl for TD-1 1/2" - 2"	73.19

## Chemtrol Socket Fusion Equipment Rental Charges

No equipment will be rented without a Purchase Order by an authorized Chemtrol Distributor.

A Socket Fusion Equipment Rental Agreement will accompany the order acknowledgment sent to the authorized Chemtrol distributor upon the receipt of the order. The distributor's purchase order for the rental of the Socket Fusion Equipment confirms the acceptance of the terms and conditions of the Rental Agreement. Chemtrol Socket Fusion Equipment will ship from Chemtrol's Charlestown, IN, plant freight collect. The freight charges, insurance and any additional fees are the responsibility of the Distributor for all shipments of the rented fusion equipment. This policy may vary for international customers. Please consult international customer service for details.

### RENTAL CHARGES

<u>Rental Machine</u>	<u>Rental Number</u>	<u>Weekly</u>	<u>Monthly</u>
<b>Model 75</b> ½" - 2" Benchmount Socket Fusion Tool - includes everything needed to fuse ½" - 2" socket joints by hand unit or bench unit	C170000	\$270.39	\$1,082.00
<b>Model 3500</b> ½" - 4" Benchmount Socket Fusion Tool - includes everything needed to fuse ½" - 4" socket joints by hand unit or bench unit	C170005	\$377.00	\$1,508.00
<b>Model 3600</b> 4" - 6" Benchmount Socket Fusion Tool - includes everything needed to fuse 4" - 6" socket joints by hand unit or bench unit	C170010	\$503.00	\$2,012.00

\*Distributor will be invoiced for one month's rental fee and freight charges upon shipment of the rental unit to the distributor. Any repairs or additional rental charges will be invoiced following the return of the equipment to Chemtrol. If additional charges are needed, they will be invoiced against the distributors purchase order at this time.

\*Additional technical and installation information is available in the Chemtrol Technical Manual or by contacting Chemtrol Technical Service.



**NIBCO INC.**

**WORLD HEADQUARTERS**

WEB: [www.nibco.com/chemtrol](http://www.nibco.com/chemtrol)

1516 MIDDLEBURY STREET

ELKHART, IN 46516-4740

USA

CHEMTROL CUSTOMER SERVICE

PHONE: 800.234.0227

FAX: 800.234.0557

TECHNICAL SERVICE

PHONE: 888.446.4226

FAX: 888.336.4226

INTERNATIONAL OFFICE

PHONE: +1/574.295.3221

FAX: +1/574.295.3455